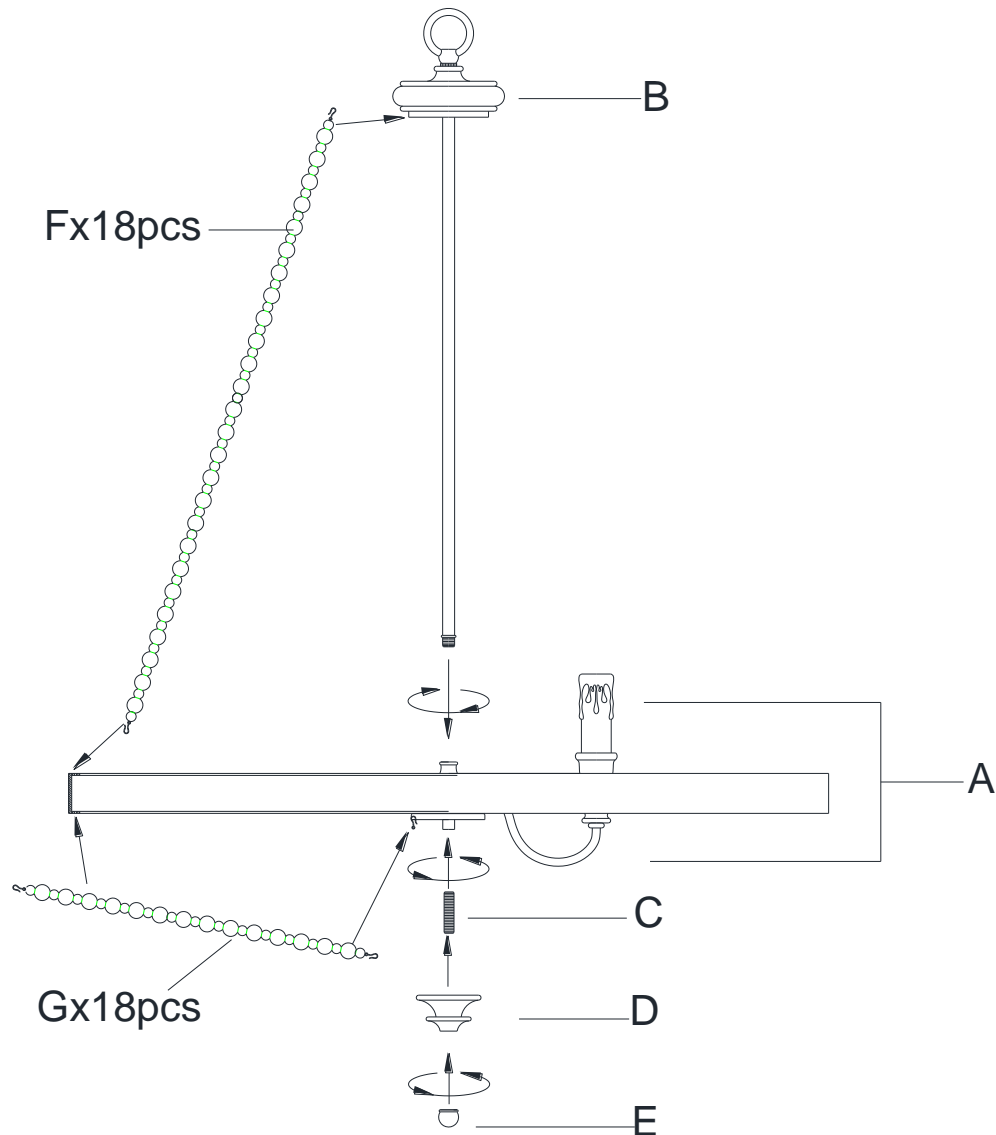


ASSEMBLY INSTRUCTIONS

ITEM NO.: 7-7406-5-39



B → A → C → D → E → F → G

1. Carefully unpack and identify all parts referring to the illustration for parts identification.
2. Turn power to the installation point **OFF**.
3. Thread the column (B) onto the center coupling at top of fixture body (A), hands tighten until snug.
4. Thread the nipple (C) into the center coupling at bottom of fixture body (A).
5. Pass the center hole of font (D) over the protruding nipple (C) and secure with finial (E). Hand tighten until snug.
6. Attach the both ends of beads string (F), (G) to the holes on the fixture body (A) and column (B) as shown.
7. Referring to the installation instruction with the product for the wiring and installation.
8. Install proper bulbs (not provided) to sockets referring to the markings and/or labels on the fixture for maximum wattage.
9. Restore power to the installation point **ON**. Retain this sheet for future reference.